

HC-B 24-TMQ-76/M1PG29S

Order No.: 1771833

<http://eshop.phoenixcontact.de/phoenix/treeViewClick.do?UID=1771833>

Sleeve housing, with double locking latch, height 76 mm, with screw connection, 1x Pg29, lateral cable entry

Commercial data

EAN	4017918036539
Pack	10 Pcs.
Customs tariff	76169910
Weight/Piece	0.44307 KG
Catalog page information	Page 414 (PC-2007)

Product notes

WEEE/RoHS-compliant since:
03/01/2006



<http://www.download.phoenixcontact.com>
Please note that the data given here has been taken from the online catalog. For comprehensive information and data, please refer to the user documentation. The General Terms and Conditions of Use apply to Internet downloads.

Technical data

General data

Note	For contact inserts HC-B24, BB46, D64, DD108, M
Design	B24
Height	76 mm
Width	43 mm

Length	120 mm
Housing type	Sleeve housings
Locking type	With double locking latch
Type of the screw connection	1x Pg29
Pg screw connection	With
Wrench size, union nut	37 mm
Cable exit	Lateral
External cable diameter	18 mm ... 27 mm
Degree of protection	IP65
Ambient temperature (operation)	-40 °C ... 125 °C
Housing material	Aluminum, die-cast
Housing surface material	Powder-coated, gray
Screw connection material	Nickel-plated brass
Cable seal material	NBR
Locking latch material	High-grade steel, handle: PA-GF
Material grip body interlock	PA-GF

Certificates / Approvals

Approval logo

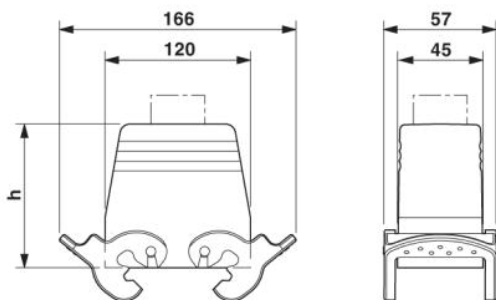


requested approbations

Certification	GOST
---------------	------

Drawings

Dimensioned drawing



Address

PHOENIX CONTACT GmbH & Co. KG
Flachmarktstr. 8
32825 Blomberg, Germany
Phone +49 5235 3 00
Fax +49 5235 3 41200
<http://www.phoenixcontact.de>



© 2008 Phoenix Contact
Technical modifications reserved;